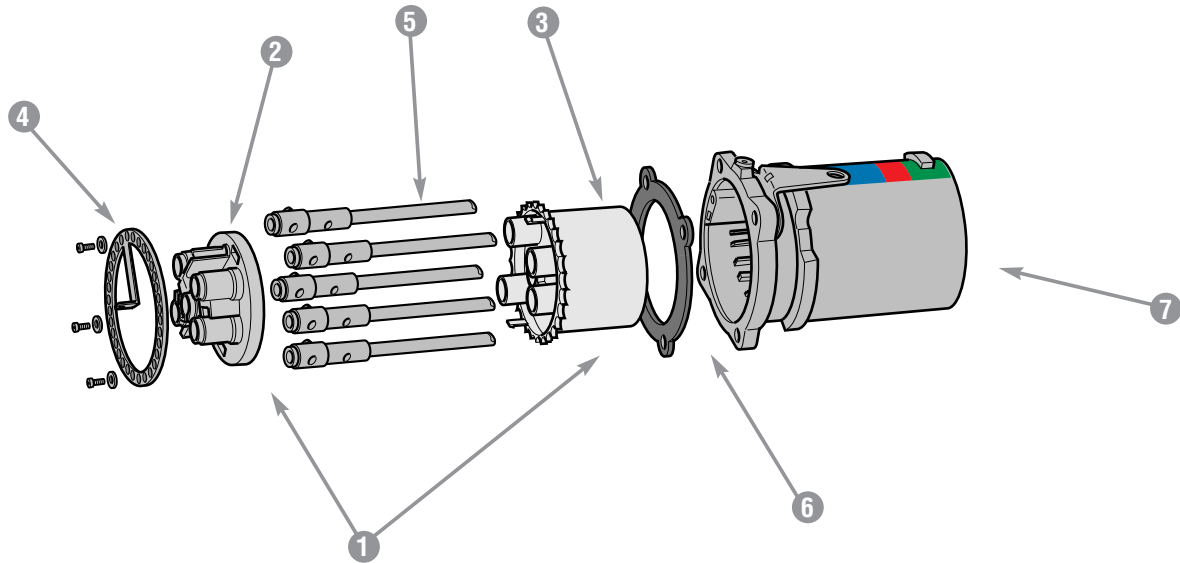




Spare Parts Male Configuration

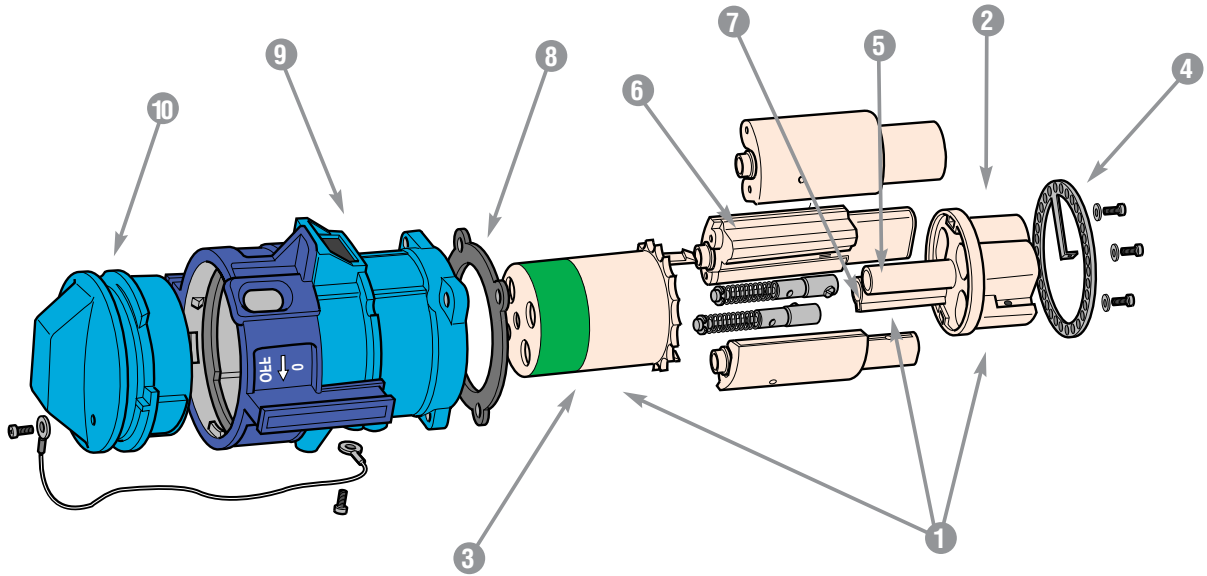


	DB30 METAL	DB60 METAL	DB100 METAL
① = Plug Interior with Pilot Contact Assembly	89-3A010-172*	89-6A010-172*	89-9A010-174*
① = Plug Interior without Pilot Contact Assembly	89-3A010*	89-6A010*	89-9A010*
② = Interior Bottom	89-3A010-B	89-6A010-B	89-9A010-B
③ = Interior Top for Pilot Contact Assembly	89-3A010-T-172*	89-6A010-T-172*	89-9A010-T-174*
③ = Interior Top without Pilot Contact Assembly Holes	89-3A010-T*	89-6A010-T*	89-9A010-T*
④ = Metal Locking Ring/Ground Ring	89-3A523	89-6A523	89-9A523
⑤ = Ground Contact	89-3A019	89-6A019	89-9A019
⑤ = Phase or Neutral Contact	89-3A011	89-6A011	89-9A011
⑤ = Pilot (2 Contacts) Assembly	89-3A219-172	89-6A219-172	-
⑤ = Pilot (4 Contacts) Assembly	-	-	89-9A219-174
⑥ = Device Gasket	89-3A026	89-6A026	89-9A026
⑦ = Plug Metal Casing	89-3A014**	89-6A014**	89-9A014**

* Voltage and phasing positions must be specified (5th, 6th & 7th digit of Part #) to duplicate your shutter and alignment notches.

** For appropriate labeling on a device, please specify voltage, phasing, and product type.

Spare Parts Female Configuration



	DB30 METAL	DB60 METAL	DB100 METAL
1 = Receptacle Interior with Pilot Contact Assembly	89-3A020-172*	89-6A020-172*	89-9A020-174*
1 = Receptacle Interior without Pilot Contact Assembly	89-3A020*	89-6A020*	89-9A020*
2 = Interior Bottom	89-3A020-B	89-6A020-B	89-9A020-B
3 = Interior Top for Pilot Contact Assembly	89-3A020-T-172*	89-6A020-T-172*	89-9A020-T-174*
3 = Interior Top without Pilot Contact Assembly Holes	89-3A020-T*	89-6A020-T*	89-9A020-T*
4 = Metal Locking Ring/Ground Ring	89-3A523	89-6A523	89-9A523
5 = Ground Contact	89-3A029	89-6A029	89-9A029
6 = Phase Contact	89-3A021	89-6A021	89-9A021
7 = Neutral Contact	89-3A021N	89-6A021N	89-9A021N
7 = Pilot (2 Contacts) Assembly	89-3A229-172	89-6A229-172	-
7 = Pilot (4 Contacts) Assembly	-	-	89-9A229-174
8 = Device Gasket	89-3A026	89-6A026	89-9A026
9 = Receptacle Metal Casing	89-3A024**	89-6A024**	89-9A024**
10 = Protective Cap with Nylon Cord	89-3A925**	89-6A925**	89-9A925**

* Voltage and phasing positions must be specified (5th, 6th & 7th digit of Part #) to duplicate your shutter and alignment notches.

** For appropriate labeling on a device, please specify voltage, phasing, and product type